

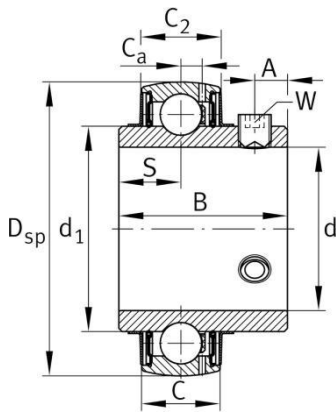


UC203

Radial insert ball bearing

Radial insert ball bearings UC, spherical outer ring, location by grub screws, RSR seals on both sides

Technical information



Main Dimensions & Performance Data

d	17 mm	Bore diameter
D _{SP}	47 mm	Outside diameter
B	31 mm	Width
n _{G Grease}	18,700 1/min	Limiting speed for grease lubrication
C _r	13,600 N	Basic dynamic load rating, radial
C _{0r}	6,600 N	Basic static load rating, radial
C _{ur}	345 N	Fatigue load limit, radial
	0.185 kg	Weight

Dimensions

C	17 mm	Width, outer ring
C ₂	16.8 mm	Sealing total width
S	12.7 mm	Distance raceway
d ₁	27.56 mm	Rib diameter inner ring
C _a	4.2 mm	Distance to lubrication hole
A	5 mm	Distance thread
W	3 mm	Width of flats

Calculation factors

f ₀	13.1	Calculation factor
----------------	------	--------------------

The datasheet is only an overview of dimensions and basic load ratings of the selected product. Please always observe all further information and guidelines for this product. For further information you can use the contact form on our website.